

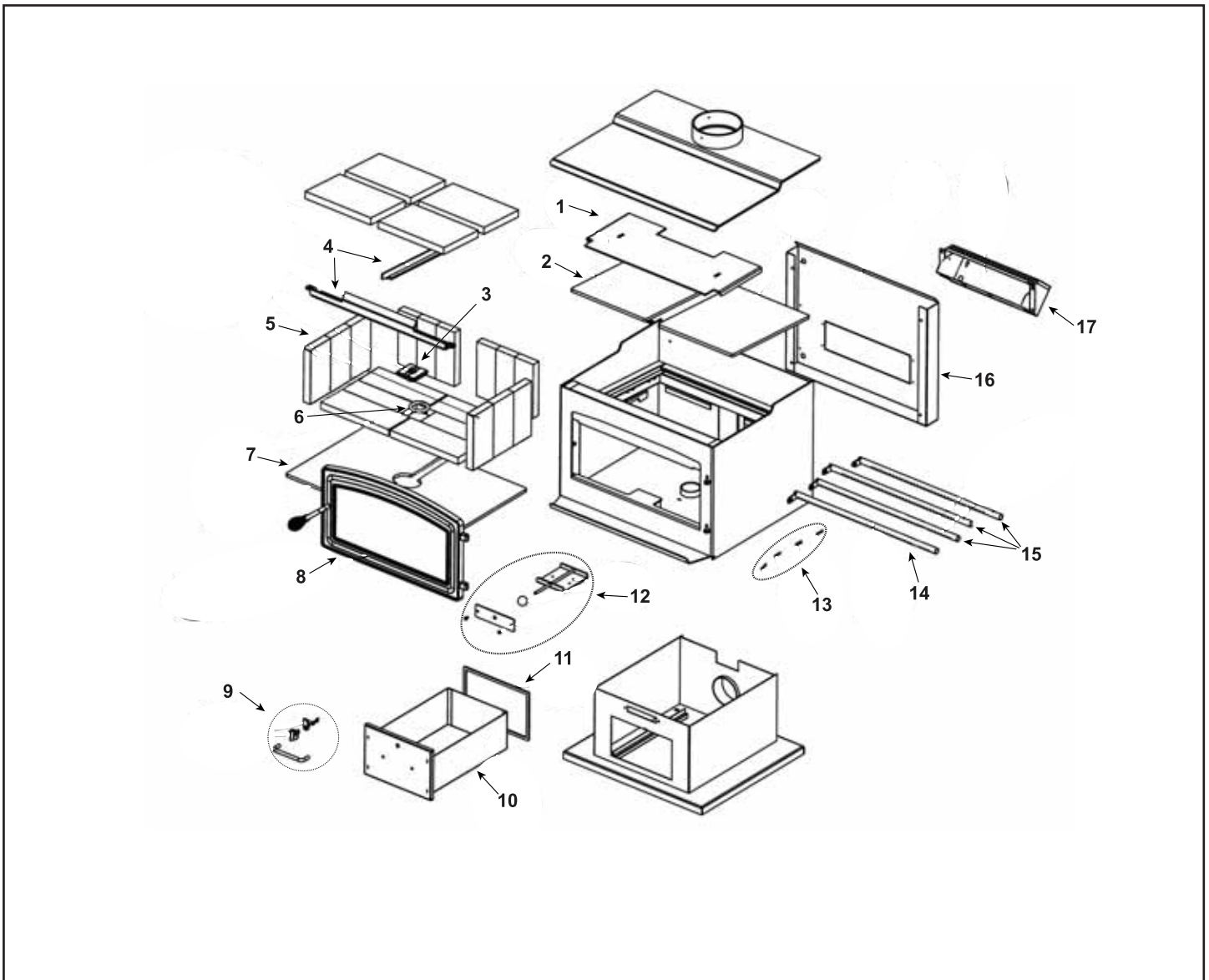


Service Parts

WS-TS-2500

Wood Stove

Beginning Manufacturing Date: June 2014
Ending Manufacturing Date: Active



IMPORTANT: THIS IS DATED INFORMATION. Parts must be ordered from a dealer or distributor. **Hearth and Home Technologies does not sell directly to consumers.** Provide model number and serial number when requesting service parts from your dealer or distributor.



Stocked at Depot

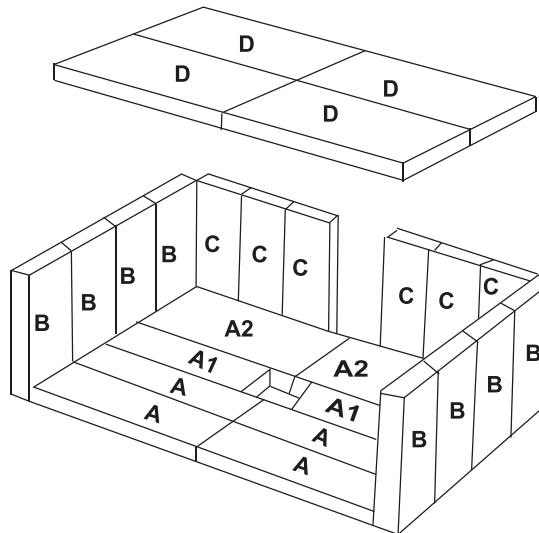
ITEM	DESCRIPTION	COMMENTS	PART NUMBER	
1	Hinged Baffle		HINGE-BAF-25	Y
2	KAO Wool Ceramic Fiber board	Pkg of 2	BAFFLE-BD-25	Y
3	Ash Plug		ASH-PLUG	Y
4	Front & Center Baffle Support		BAF-SUP-25	Y

Additional service parts on following page

5/15



#5 Brick Assembly



IMPORTANT: THIS IS DATED INFORMATION. Parts must be ordered from a dealer or distributor. **Hearth and Home Technologies does not sell directly to consumers.** Provide model number and serial number when requesting service parts from your dealer or distributor.



Stocked at Depot

ITEM	DESCRIPTION	COMMENTS	PART NUMBER	
5	Firebrick			Y
A	Firebrick Assembly			
A1	Contains: A (Qty 4) (3.35" X 11.1"), A1 (Qty 2) (3.15" x 9.6") & A2 (Qty 2) (5.7" x 10.7") Bricks		FIREBRICK-A25	Y
A2				
B	Firebrick, Side, 4" x 7.5"	Qty 8 req	FIREBRICK-B	Y
C	Firebrick, Rear, 6.9" x 10.7'	Qty 6 req	FIREBRICK-C	Y
D	Firebrick, Baffle, 6.9" x 10.7"	Qty 4 req	FIREBRICK-D	Y
6	Ash Plug Gasket		ASH-GASKET	Y
7	KAO Wool Ceramic Fiber board/ Bottom	Pkg of 2	BTM-BD-25	Y
8	Door Assembly		DOOR-WS	Y
	Door Glass w/gasket		GLASS-WS	Y
	Door Handle Assembly, Complete		HANDLE-WS	Y
	Door Gasket		DOOR-GASKET	Y
9	Ash Box Latch Assembly, Complete		ASHLATCH	Y
10	Ash Box Assembly, Complete		ASHPAN	Y
11	Gasket, Ash Box		ASH-GASKET	Y
12	Air Control Assembly Complete		AIR-CONTROL-25	Y
	Air Control Round Knob		AIR-KNOB	Y
13	Air Tube Retaining Clips	Pkg of 4	AIR-CLIP	Y
14	Front Air Tube		AIR-TUBE-FRT	Y
15	Rear Air Tube	Pkg of 3	AIR-TUBE-REAR	Y
16	Heat Shield, Deflector, Rear		REAR-SHIELD	Y
17	Fan Assembly		FAN-WS	Y
18	Metallic Black Touch-Up Paint		4021-914	Y